

# MB10

## Multi - Biometric T&A and Access Control Terminal



### Features

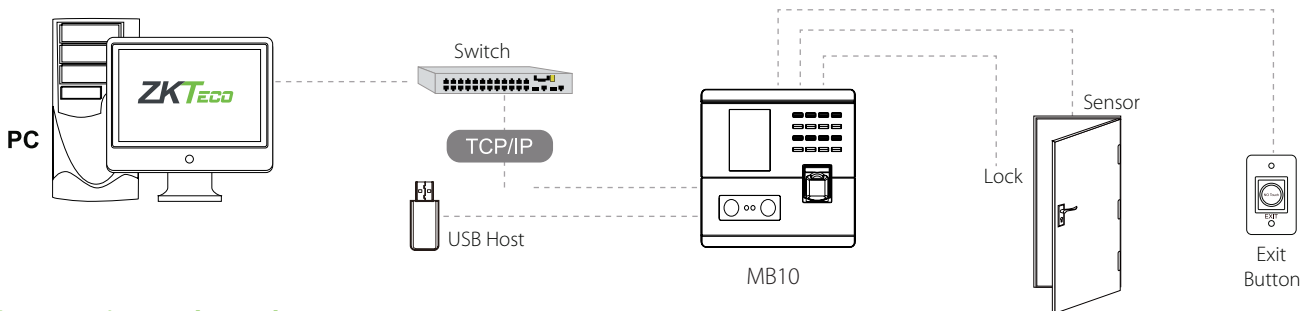
---

- Fingerprint, face, RFID and password 4 type verification mode
- High-speed identification less than 1 second
- TCP/IP Port for Internet connection
- Access Port available to control one lock and exit button
- Optional 5V 1900mAH UPS, standby up to 3 hours

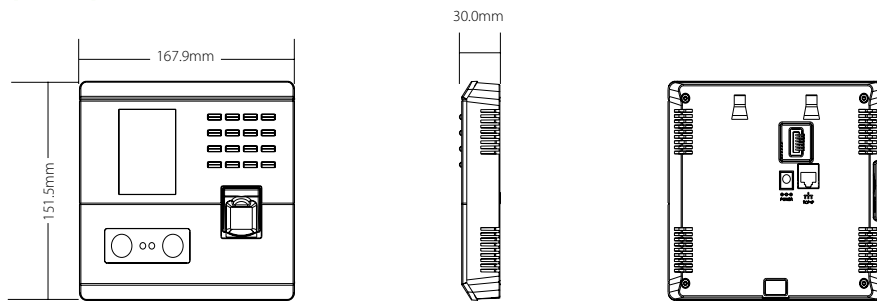
# Specification

<b>Product</b>		<b>MB10</b>
<b>Main</b>	Biometric RF Optional	Fingerprint and Face 125kHz EM / 13.56MHz MIFARE
<b>Capacity</b>	Max User(1:N) Max Fingerprint (1:N) Max Face (1:N) Max Record	1,000 500 200 50,000
<b>Interface</b>	TCP/IP USB Relay	10M/100M USB 2.0 (Host) 1 Relay
<b>Hardware</b>	LCD Sound Operating Temp. Operating Humidity Power Dimensions(W x H x D mm)	2.8" Color LCD Stereo speaker 0 °C- 45 °C 20% ~ 80% DC 5V 0.8A 167.9 x 151.5 x 30
<b>Function</b>	Standard	Automatic Status Switch, Self-Service Query, DST, T9 Input 9 Digit User ID, Scheduled Bell, Photo ID Lock, sensor, Exit button
	Optional	ID / MF
<b>Compatibility</b>		ZKTime.net 3.0 ZKTime 5.0 ZKAccess 3.5

## Configuration



## Dimensions (mm)



ZKTECO CO.,LTD.  
www.zkteco.com  
E-mail: sales@zkteco.com

© Copyright 2017. ZKTECO CO.,LTD. ZKTeco Logo is a registered trademark of ZKTeco or a related company. All other product and company names mentioned are used for identification purposes only and may be the trademarks of their respective owners. All specifications are subject to change without notice. All rights reserved.

