

High-performance, cost-effective projector

VE303X / VE303



VE303X

3,000 ANSI lumens

XGA

2.6 kg

VE303

3,000 ANSI lumens

SVGA

2.6 kg

Being compact in size and light weight, the VE series is easily portable, according to your needs. The excellent price performance ratio makes these projectors especially suitable for classrooms and mid-sized meeting rooms.

Benefits

Great Picture Quality and Integrated Audio

Thanks to the 10,000:1 contrast and the built-in 2 W speaker.

Innovative ECO Functions

Reduce power consumption while ensuring optimal image performance and lamp life that is extended to 6,000 hours.

Direct Power Off

This feature allows the projector to be turned off (even when projecting an image) by using the Main Power Switch or by disconnecting the AC power supply.

SmartSource™ 3D Ready

The projector can support the following 3D formats.

- HDMI 3D
- 120 Hz 3D (only available if your PC can output 120 Hz)
- HQFS 3D



Free download of multi-display management software*

This software is an all-in-one remote support solution that runs from a central location and provides monitoring, asset management and control functionality for a majority of NEC display devices and Windows computers. It is ideal for multi-device installations over larger infrastructures.

*NaViSet Administrator 2



NaViSet
Administrator 2

Specifications

Model		NP-VE303X	NP-VE303
Method		Reflection by single DMD chip	
Resolution*1		1,024 × 768 (XGA)	800 × 600 (SVGA)
Lens		Manual zoom (×1.1) / Manual focus, F = 2.41 – 2.55, f = 21.8 – 24.0 mm, Throw ratio = 1.95 – 2.15	
Light source (Lamp)	ECO mode	160 W	
	ECO mode off	195 W	
Lamp life*2	ECO mode	6,000 H	
	ECO mode off	4,500 H	
Image size		30 to 300 inches	
Light output *3 *4	ECO mode off	3,000 ANSI lumens	
	ECO mode	Approx. 85% of ECO off	
Quietness (ECO / ECO mode off)		30 dB / 34 dB	
Contrast ratio (white / black)*4		10,000:1 with dynamic contrast on	
Maximum resolution		Up to 1080p (1,920 × 1,080)	
Synchronization range	Horizontal	15 kHz to 100 kHz (RGB: 24 kHz or over)	
	Vertical	50 Hz to 120 Hz (24 Hz: Blu-ray 24P)	
Vertical keystone correction		Manual: ± Max 40 degrees	
Input terminals	Computer	Mini D-sub 15 pin × 1	
	Video	RCA × 1	
	HDMI	HDMI × 1	
	Audio	Stereo mini jack × 1	
Control terminals		D-sub 9 pin × 1	
USB port		Service × 1	
Built-in speaker		2 W monaural	
Usage environment	Operational temperature	5°C to 40°C, up to 80% humidity (no condensation)	
	Storage temperature	-10°C to 50°C, up to 80% humidity (no condensation)	
Power requirements		100 to 240 V AC, 50 Hz / 60 Hz	
Input current		2.5 A to 1.1 A	
Power consumption (100 to 130 V AC / 200 to 240 V AC)	ECO mode off	237 W / 232 W	
	ECO mode	198 W / 192 W	
	Standby (Normal)	0.23 W / 0.33 W	
Dimensions (W × H × D)		324 × 101 × 250 mm 324 × 88 × 250 mm (not including protrusions)	
Weight		2.6 kg	
Accessories		Power cord, remote control, batteries, signal cable, CD-ROM (User's manual), quick guide, important information, security sticker	

*1 : Effective pixels are more than 99.99%.

*2 : The average time span for the brightness of the lamp to be reduced by half; does not refer to the warranty period for the lamp.

*3 : This is the light output value (ANSI lumens) when [PICTURE MODE] is set to [HIGH-BRIGHT] in the menu.

If any other mode is selected as [PICTURE MODE], the light output value may drop slightly.

*4 : Compliant with ISO21118-2012

Remote control

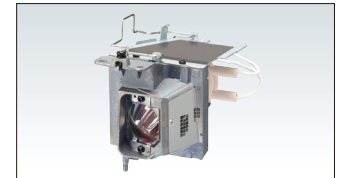
(included accessory)



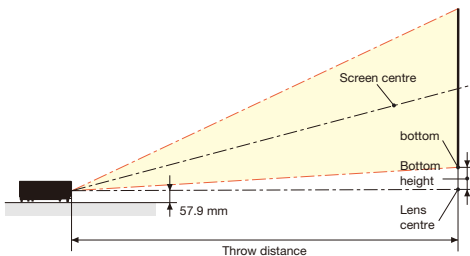
Options

Replacement lamp

NP40LP



Throw Distance and Screen Size

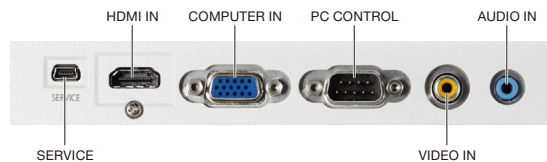


(Aspect ratio 4:3)

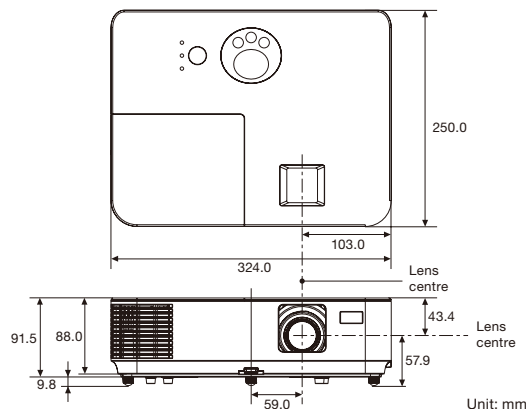
Screen Size (W×H m)	Throw Distance (m)		Bottom Height (cm)
	Wide	Tele	
30" (0.61×0.46)	1.19	1.31	6.9
40" (0.81×0.61)	1.59	1.75	9.1
60" (1.22×0.91)	2.38	2.62	13.7
80" (1.63×1.22)	3.17	3.50	18.3
100" (2.03×1.52)	3.96	4.37	22.8
120" (2.44×1.83)	4.75	5.24	27.4
150" (3.05×2.29)	5.94	6.55	34.3
180" (3.66×2.74)	7.13	7.86	41.1
200" (4.06×3.05)	7.92	8.74	45.7
240" (4.88×3.66)	9.51	10.49	54.8
300" (6.10×4.57)	11.89	13.11	68.5

The values in the table are design values and may vary.

Terminals



Cabinet dimensions



Unit: mm



- Do not stare into the lens while in use.
- The projector can be unplugged during its cool down period after it is turned off. Parts of the projector become heated during operation. Use caution when picking up the projector immediately after it has been operating.
- Use caution when putting the projector in the soft case immediately after the projector has been operating. The projector cabinet is hot.

NaViSet is a trademark or registered trademark of NEC Display Solutions, Ltd. in Japan, the United States and other countries.

DLP and the DLP logo are registered trademarks or trademarks of Texas Instruments.

SmartSource™ 3D is a trademark of Texas Instruments.

The terms HDMI and HDMI High-Definition Multimedia Interface, and the HDMI Logo are trademarks or registered trademarks of HDMI Licensing LLC in the United States and other countries.

HDBaseT and the HDBaseT Alliance logo are trademarks of the HDBaseT Alliance.

Other hardware and software names are trademarks or registered trademarks of the respective manufacturers.

All rights reserved. All specifications are subject to change without notice. December 2015