

# DHI-VTS5240B

## Master Station



### Features

- 10" TFT Capacitive touch screen, 1024×600
- IPC surveillance
- Alarm integration
- Micro SD card optional, max 32GB
- Record and snapshot(SD card needed)



### Technical Specification

Mode	DHI-VTS5240B
------	--------------

#### System

Main Processor	Embedded Micro Processor
Operation System	Embedded LINUX OS

#### Video

Video Compression	H.264
-------------------	-------

#### Audio

Audio Compression	G.711
Audio Input	Omnidirectional Mic
Audio Output	Built-in Speaker
Bidirectional Talk	Support Dual-way Bidirectional talk

#### Operation Mode

Keypad	Two Mechanical Buttons
--------	------------------------

#### Interface

Alarm In	4
Alarm Out	1
Audio In	1
HDMI	1
USB	2

#### Network

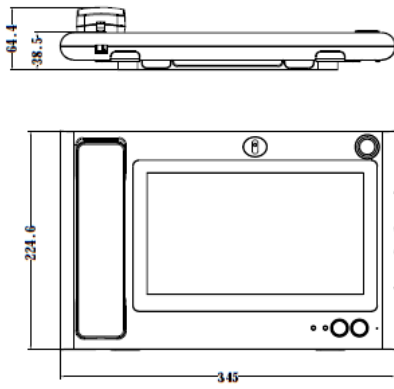
Ethernet	10M/100Mbps Self-adaptive
Network Protocol	TCP/IP

#### General

Memory Slot	Micro SD, Max 32G
Material	Plastic

Power	DC 12V
Power Consumption	Max 12W
Working Environments	-10°C~+55°C
Relative Humidity	10%~90%RH
Dimensions	345mm×224.6mm×28mm
Weight	1.5Kg

Dimensions



Application

